

GES-5M20

20 Watt Monocrystalline Photovoltaic Module



Outstanding mechanical load performance enables each panel to withstand wind up to 200 km/h or snow up to 550 kg/m².



In-line Electroluminescence (EL) testing of each panel ensures no micro-cracks or mismatch on cells.



Ammonia Endurance Test(IEC62716) and Salt Mist Test(IEC61701) verified the excellent performance of each panel in harsh or unusual environments.



Aging test under 85 °C and 85 % relative humidity for at least 1500 hours guarantees a low power degradation for 25 years.



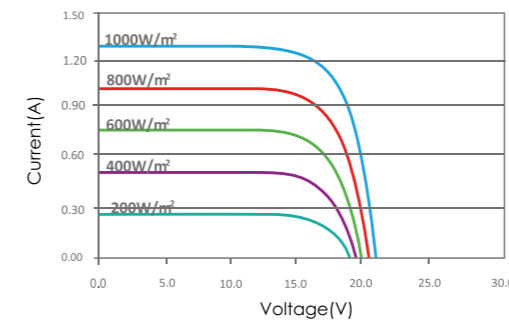
Electrical Characteristics

Characteristics	Unit	GES-5M20
Maximum Power (Pmax)	W	20
Power Tolerance	W	(0,+5)
Open Circuit Voltage (Voc)	V	21.7
Short Circuit Current (Isc)	A	1.26
Maximum Power Voltage (Vmp)	V	17.6
Maximum Power Current (Imp)	A	1.14
Cell Efficiency (ηc)	%	14.8~18.5
Module Efficiency (ηm)	%	9.9~12.5
Cell Technology		125mm×31.25mm, Monocrystalline Silicon; 36pcs(2×18)
Pmax Temperature Coefficient	%/°C	-0.44
Voc Temperature Coefficient	%/°C	-0.32
Isc Temperature Coefficient	%/°C	+0.04
Maximum System Voltage	VDC	715(TUV);600(UL)
Maximum Series Fuse Rating	A	3
Operating Temperature	°C	-40 ~ +85
NOCT	°C	45±2

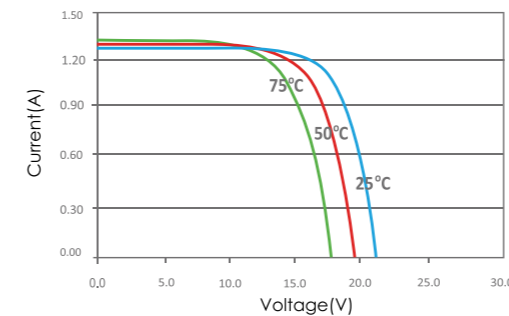
STC: 1000W/m², AM1.5 and 25°C cell temperature; NOCT: Nominal Operating Cell Temperature

I-V Curves

I-V Curves of PV Module GES-5M20 (Cell Temp. 25°C)

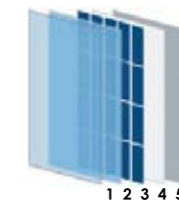
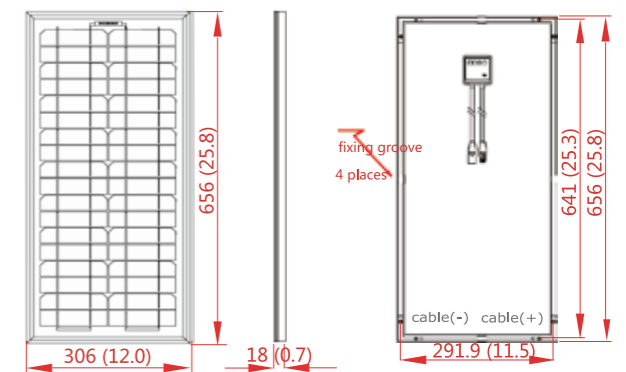


I-V Curves of PV Module GES-5M20 at Different Cell Temperatures(AM1.5,1000W/m²)



Physical Characteristics

Unit: mm(inch)



1. Tempered Glass
2. EVA(Ethylene Vinyl Acetate)
3. Solar Cells
4. EVA(Ethylene Vinyl Acetate)
5. Backsheet

Dimension	656 x 306 x 18 mm (25.8 x 12.0 x 0.7 inch)
Weight	2.5kg (5.5 lbs.)
Cable Length	900 mm (35.4 inch)
Junction Box	IP65
Front Glass	3.2 mm (0.1 inch) tempered low-iron glass
Frame	Anodized aluminum alloy

* Specifications are subjected to change without further notice



No. SHEMA10030030903TXC



Environment Friendly

Features

- Up to +5W power tolerance of each panel ensuring high ROI
- High cell conversion efficiency up to 18.5 %
- Outstanding electrical performance under high temperature and low-irradiance conditions
- Easy installation and all-weather applications thanks to innovative engineering design

Insurance

All performance and cooperation warranties are ensured with Product Liability and Financial Injury (E&O) Liability Insurance with CHUBB INSURANCE (CHINA) COMPANY LIMITED.

Warranty

GESOLAR guarantees

- Up to +5W power tolerance of each panel
- Workmanship and materials in 10 years
- 90 % minimum power output in 12 years
- 80 % minimum power output in 25 years