

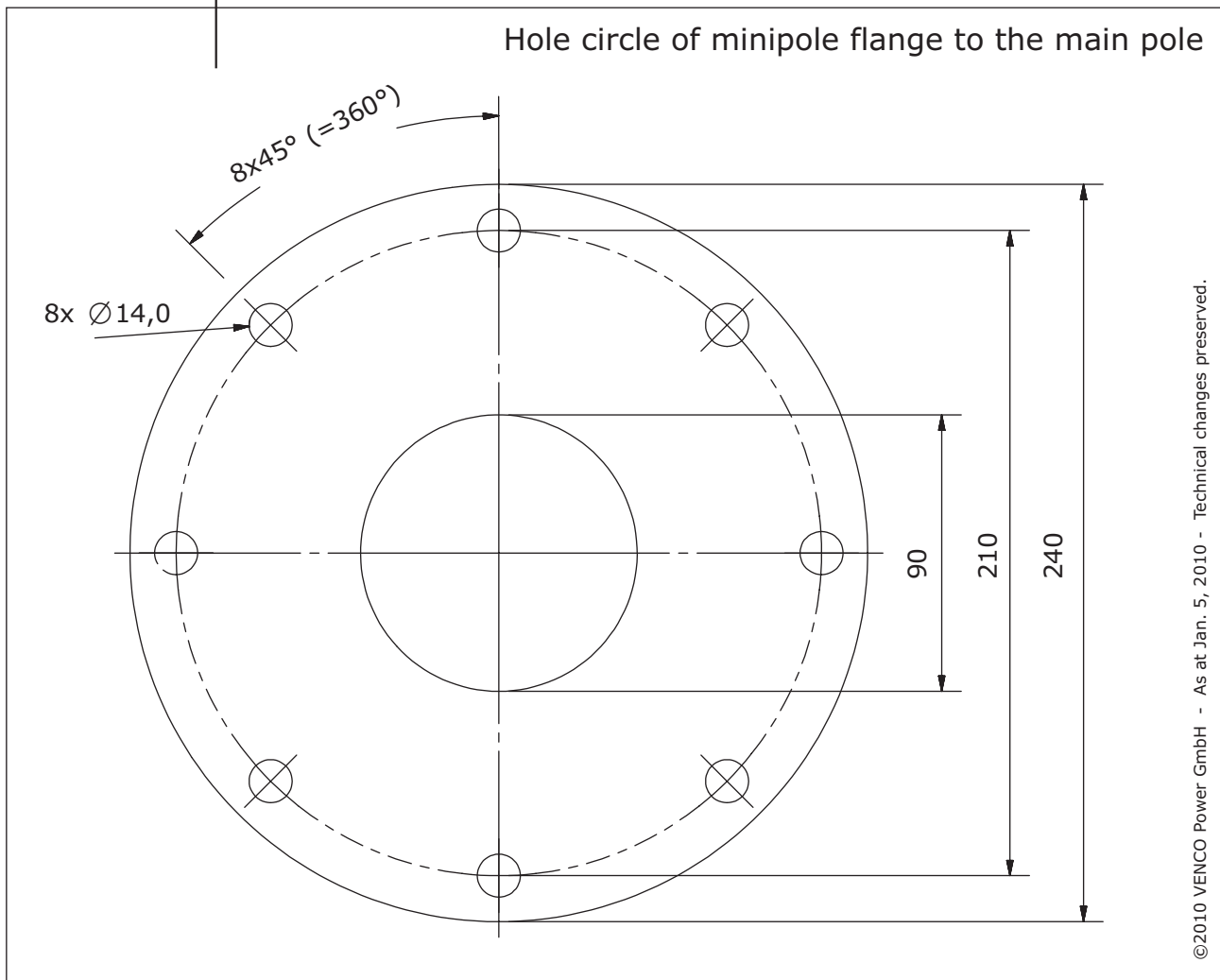
VENCO-Twister-300-T

Keydata



Rotor weight without minipole	42 kg
Rotor weight with minipole	52 kg
Nominal rotation speed	350 rpm
Nominal torque	9.5 Nm
Radial incitation	3 Ω, 0-17.5 Hz
max. brake torque	90 Nm
max. generator capacity	600 W
Generator voltage	0-70 V DC
Rotor wind load @ 20 m/s	305 N
Rotor wind load @ 50 m/s (parking position)	669 N
Inertia	9.7 kg m ²
48 V DC cooperate	No
Noise imission @ 6m/s and 6m distance	35 dBA
max. shear load *)	0,92 kN
max. bending moment *)	0,74 kNm
max. torque load *)	0,20 kNm
min. normal force *)	0,80 kN
max. normal force (with icing) *)	1,60 kN

*) = These are characteristic values. An according safety factor is to multiply



©2010 VENCO Power GmbH - As at Jan. 5, 2010 - Technical changes preserved.

VENCO Power GmbH
 Luisenburgerweg 29
 D-95182 Doehlau
 Germany

Tel.: +49 (0)9281 470271
 Fax: +49 (0)9281 74119
 info@vencopower.com
 www.vencopower.com